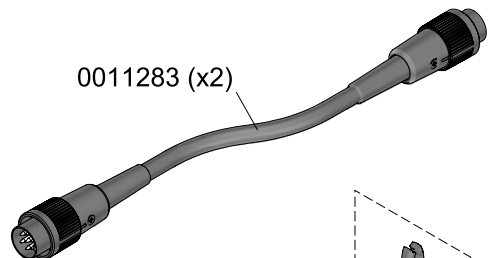


DDPE-1QB 120V
DDPE-2QB 230V
DDPE-9QB 100V
 PRECISION STATION

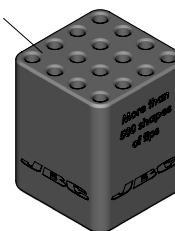
DDE-1C / DDE-2C / DDE-9C



0011283 (x2)

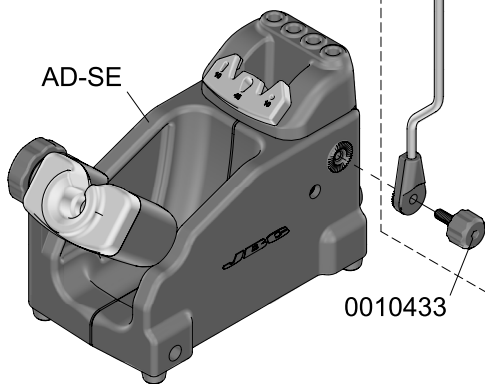
CC3702

SCH-A



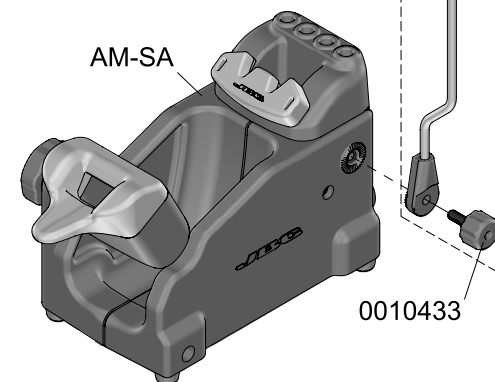
CC3702

AD-SE



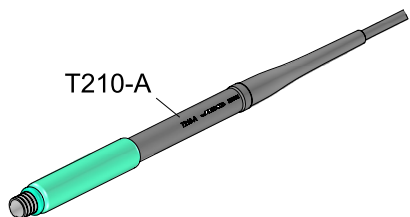
0010433

AM-SA

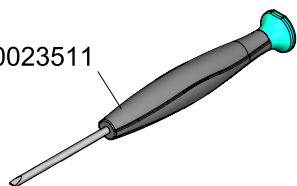


0010433

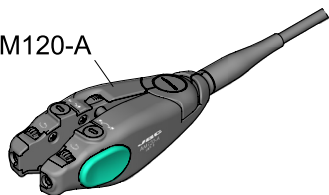
T210-A



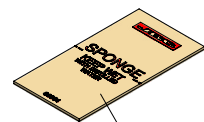
0023511



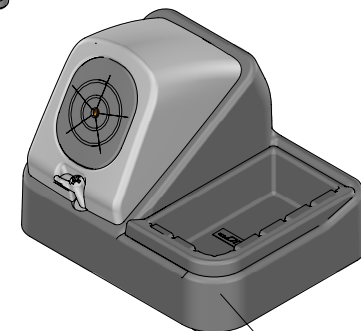
AM120-A



CL6210



S0354



CL8499

SPARE PARTS	
DDE-1C / DDE-2C / DDE-9C:	
-REAR CIRCUIT	0018129
-ENCLOSURE	
· TOP	0019028
· BOTTOM	0014567
· FRONT+DISPLAY	0019246
· BACK	0013413

DDPE-1QB 120V FUSE T-4A
DDPE-2QB 230V FUSE T-2A
DDPE-9QB 100V FUSE T-5A