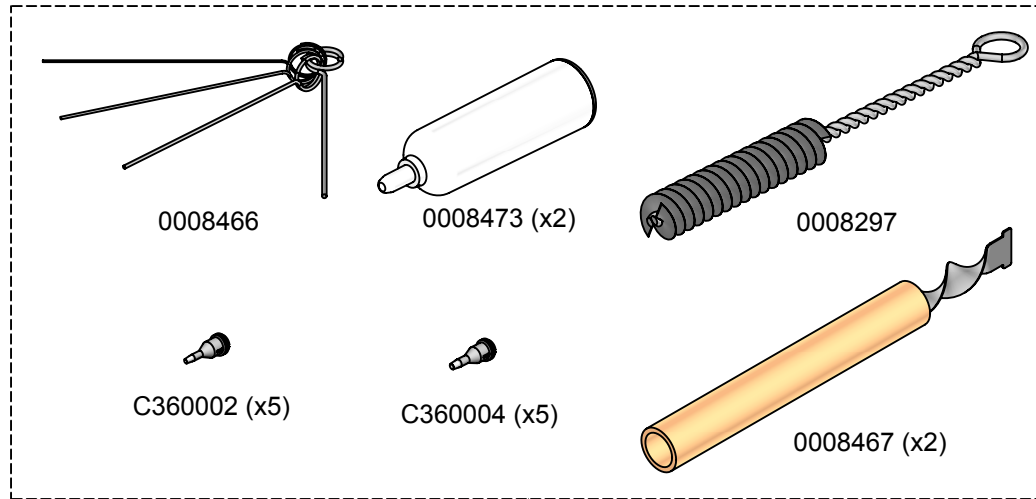
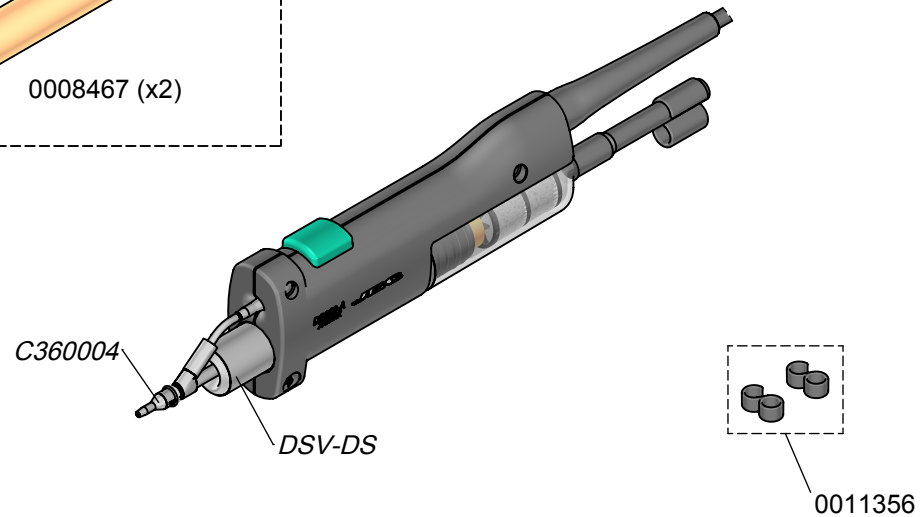




Ref: **DS360-A**
Micro Desoldering Iron



SPARE PARTS	
DS360-A:	
-TIP	C360004
-HEATING ELEMENT	DSV-DS
-FLANGES	0011356
-ACCESSORIES	0010259
·TIP	C360002
·TIP	C360004
·CLEANING RODS	0008466
·CLEANING BRUSH	0008297
·FILTER	0008473
·SOLDER COLLECTOR	0008467



DESCRIP. ADICIONAL:	PLANO COMERCIAL		DIBUJADO Olga Vila	RoHS Compliant	DIMENSIONS WITHOUT TOLERANCES	
	 www.jbctools.com		ACTIVO DESDE: ACTIVE SINCE: 27/04/2017	HOJA TECNICA: 5889	DIMENSIONS IN MILLIMETERS	HOLES H 13 AXLES h 13 ANGLES ±1° THREADS H/g 13
	SUSTITUYE A: DS-A	COMPATIBLE: Si	PAUTA VERIFIC: 5254		E. 1:2	DIN A4
PIEZA: PART:	MICRO DESOLDADOR		PRODUCTO: PRODUCT: DS360-A	Nº PLANO: DRAWING N: 70733		