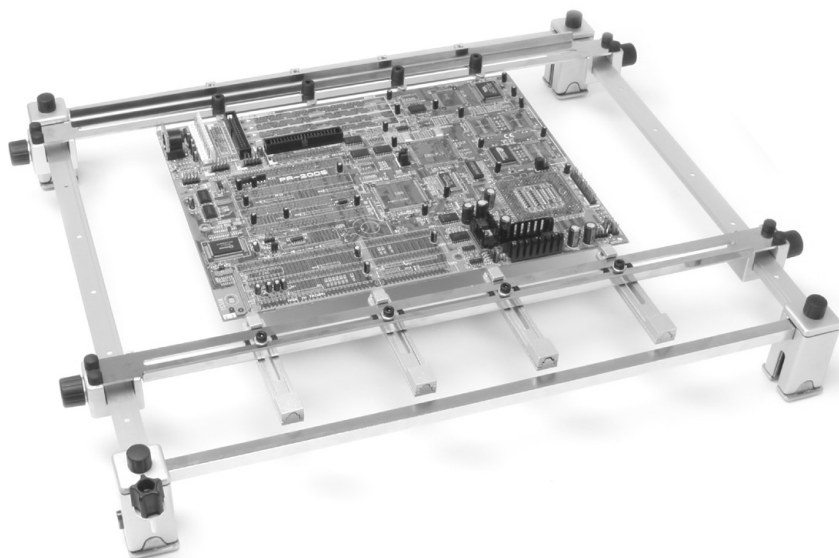


# **JBC**

[www.jbctools.com](http://www.jbctools.com)



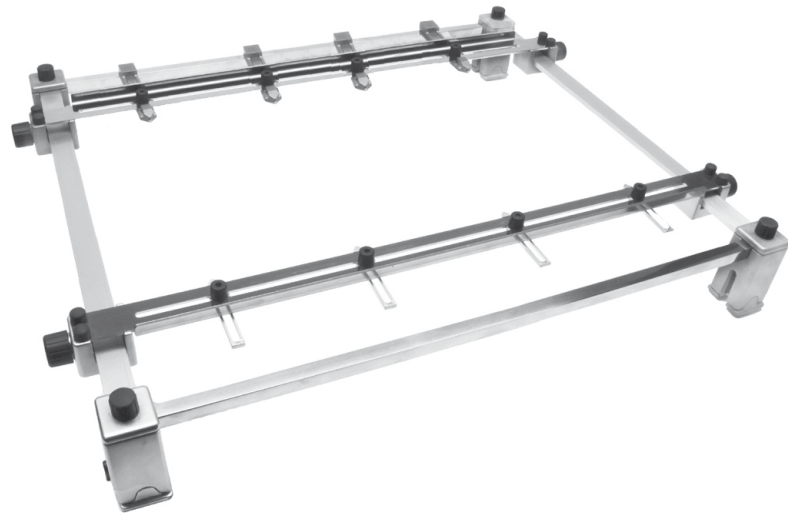
## **Convection Preheater Support**

Ref. PHB-SA

## Packing List

The following items should be included:

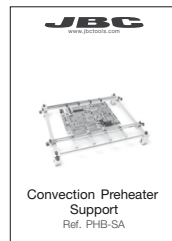
**Convection Preheater Support** ..... 1 unit  
 Ref. PHB-SA



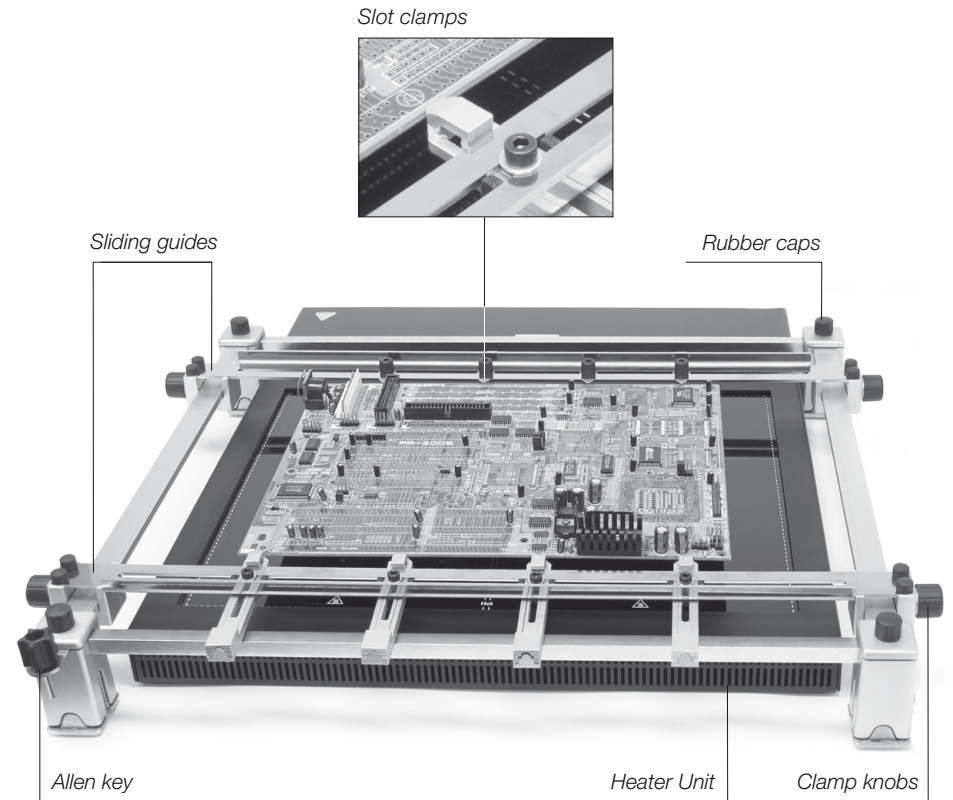
**Allen key** ..... 1 unit  
 Ref. 0013754



**Manual** ..... 1 unit  
 Ref. 0016294



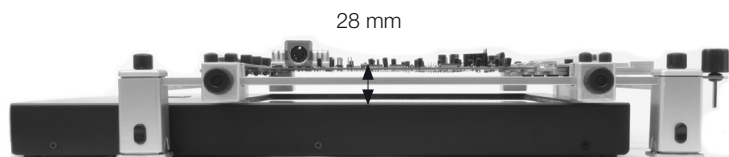
## Features



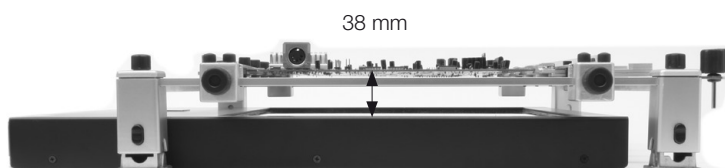
## Height Adjustment

It allows adjustment for **3 heights** between the PCB and the Heating Area of the PHB-A Heater Unit.

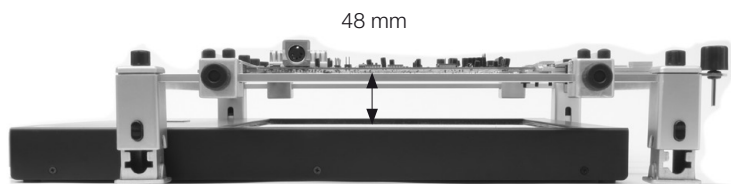
Low level



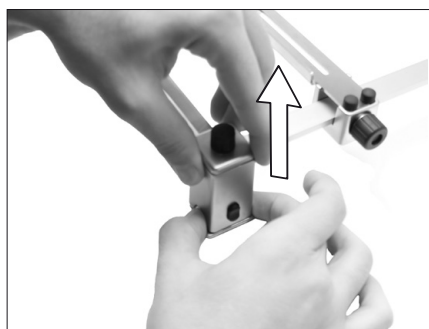
Medium level



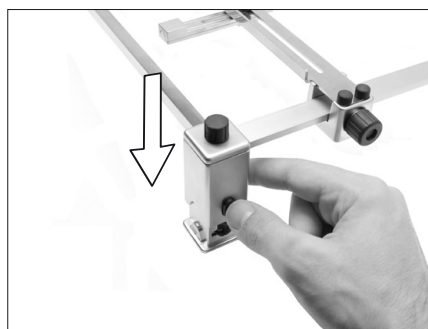
High level



To change the height, do as follows:



To raise the support, hold the base and pull up.

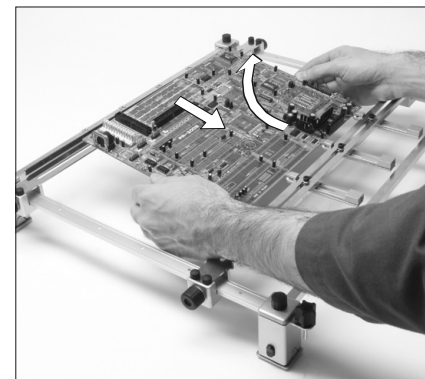


To lower the support, press the button and push down.

## Changing PCBs of the same batch

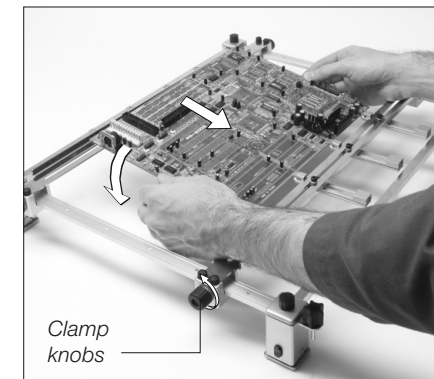
The support lets you place PCBs of the same batch so as to always heat the same area. Use the sliding guides to change the PCBs.

Removing the PCB



Loosen one sliding guide, pull back and lift out the PCB.

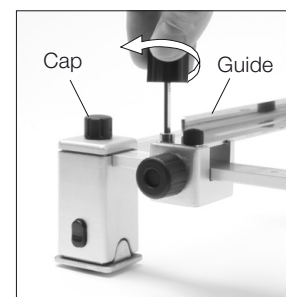
Placing another PCB



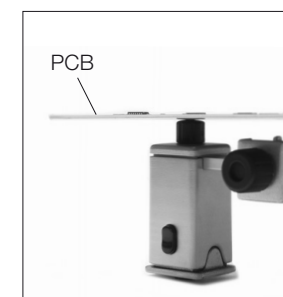
Position it and tighten the sliding guide knobs.

## Reworking large PCBs

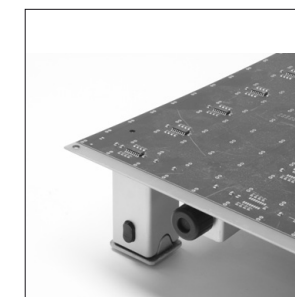
Use the 4 caps to place larger PCBs than the PHB-SA Support or over 3mm thick.



1. Remove both guides by untightening the 8 screws.



2. Place the PCB on the 4 rubber caps.

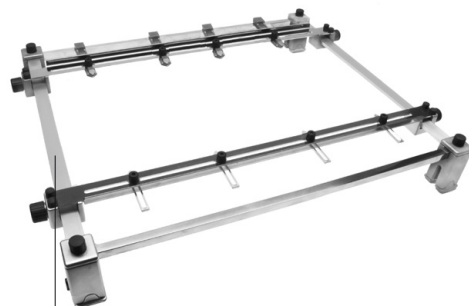


3. The PCB is ready to work.

## Maintenance

Before carrying out maintenance or storage, always allow the support to cool.

- Check periodically that the support is clean, especially the axes of the sliding guide.
- Replace any defective or damaged piece. Use original JBC spare parts only.
- Repairs should be performed only by a JBC authorized technical service.



*Axes of the sliding guides*

## Safety



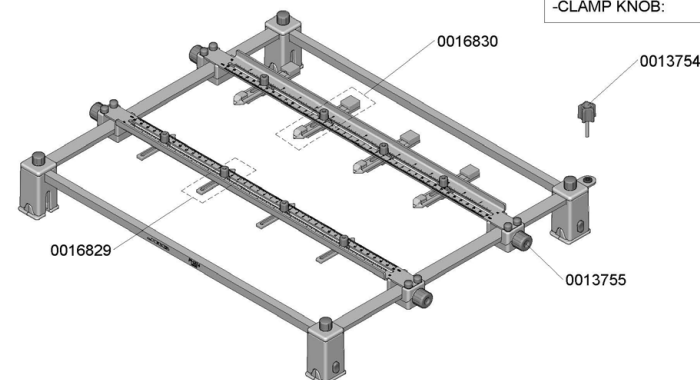
**It is imperative to follow safety guidelines to protect health and prevent electric shock, injury, fire or explosions.**

- The temperature of accessible surfaces may remain high after used for preheating. Handle with care.
- Be careful with the remains of liquid tin. In contact with skin, it can cause burns.
- Use a "non residue" classified flux and avoid contact with skin or eyes to prevent irritation.
- Be careful with the smoke produced when soldering.
- Keep your workplace clean and tidy. Wear appropriate protection glasses and gloves when working to avoid personal harm.
- This appliance can be used by children over the age of eight and persons with reduced physical, sensory or mental capabilities or lack of experience and knowledge once they have been given adequate supervision or instruction concerning use of the appliance and understand the hazards involved. Children must not play with the appliance. Maintenance shall not be carried out by children unless supervised.

## Exploded View

### PHB-SA CONVECTION PREHEATER SUPPORT

SPARE PARTS	
<b>PHB-SA:</b>	
-SLOT CLAMP:	0016829
-BIG SLOT CLAMP:	0016830
-ALLEN KEY:	0013754
-CLAMP KNOB:	0013755



## Specifications

- Dimensions: Low position 432 x 514 x 78 mm  
High position 432 x 514 x 98 mm
- Weight: 2.8 kg (6.2 lb)
- Maximum thickness of PCB: 6 mm

Complies with CE standards  
ESD protected housing "skin effect"

# JBC

---

### Warranty

JBC's 2 year warranty covers this equipment against all manufacturing defects, including the replacement of defective parts and labour.

Warranty does not cover product wear due to use or mis-use.

In order for the warranty to be valid, equipment must be returned, postage paid, to the dealer where it was purchased.

---



This product should not be thrown in the garbage.  
In accordance with the European directive 2012/19/EU, electronic equipment at the end of their life must be collected and returned to an authorized recycling facility.