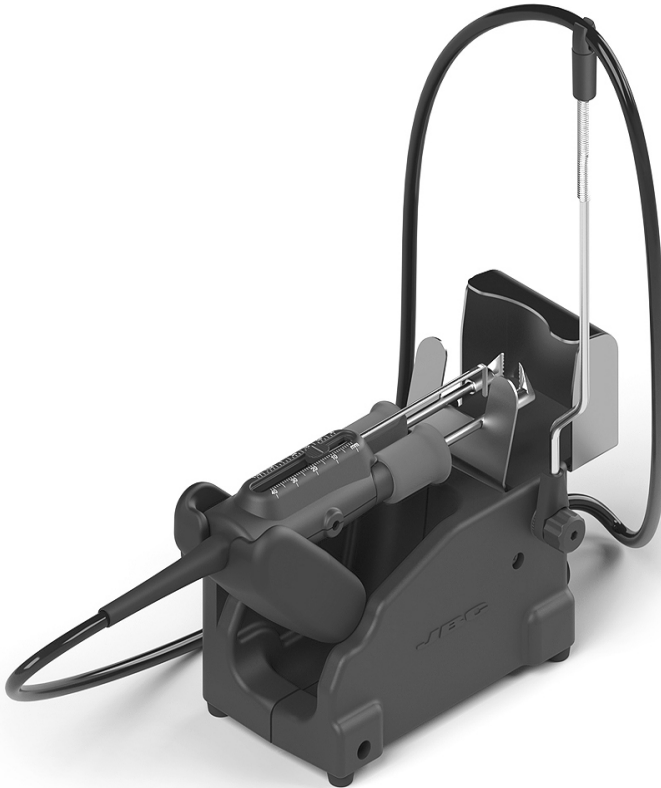


JBC

www.jbctools.com

INSTRUCTION MANUAL



WS-SA Stand for WS440 High-Temperature Wire Strippers

Ref. WS-SA

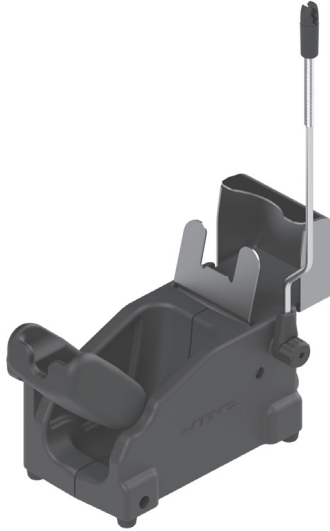
Index

	Page
1. Packing List	3
2. Safety	4
3. Features & Connections	5
4. Assembly	6
5. Accessories	7
6. Maintenance	8
7. Notes	9
8. Specifications	10

Packing List

The following items are included:

WS-SA Stand for WS440 High-Temperature Wire Strippers 1 unit
Ref. WS-SA



Stand Cable (1 meter length) 1 unit
Ref. 0011283



Manual 1 unit
Ref. 0023478



Safety

Warning

- Do not touch the blade or the metal parts around.
- Do not allow the blade be close to flammable materials.
- Keep your workplace clean and tidy. Wear appropriate protection glasses and gloves when working to avoid personal harm.
- This appliance can be used by children over the age of eight and also persons with reduced physical, sensory or mental capabilities or lack of experience provided that they have been given adequate supervision or instruction concerning use of the appliance and understand the hazards involved.
- Maintenance must not be carried out by children unless supervised.
- Place the tool on the stand when is not in use.
- Turn off the power when not in use, changing parts or storing.

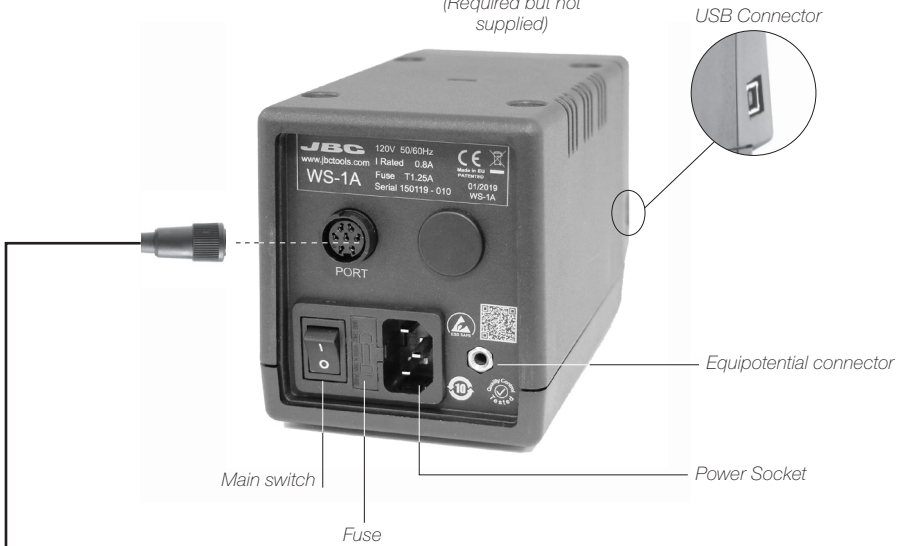
Caution

- Do not use the Wire Stripper for other applications than wire stripping.
- Do not modify or customize the Wire Stripper.
- Do not hit the blade against workbench to eliminate stripped insulation debris, This behavior would damage the blade.
- Remove power from the tool by holding the plug, not the wires.
- Be careful with the fumes produced when stripping. We recomend to use our fume extractor.

Features and Connections

WS Control Unit

(Required but not supplied)



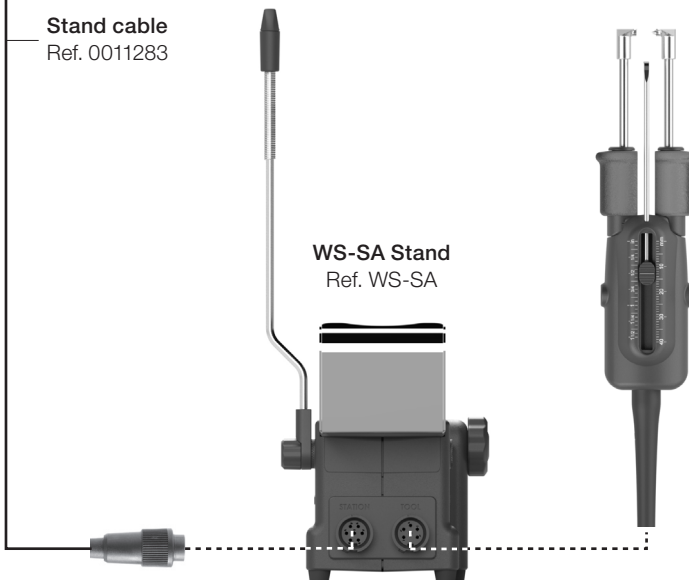
Stand cable
Ref. 0011283

WS-SA Stand
Ref. WS-SA

C440 Cartridges
(Required but not supplied)

WS440 Thermal Wire Strippers
Ref. WS440-A

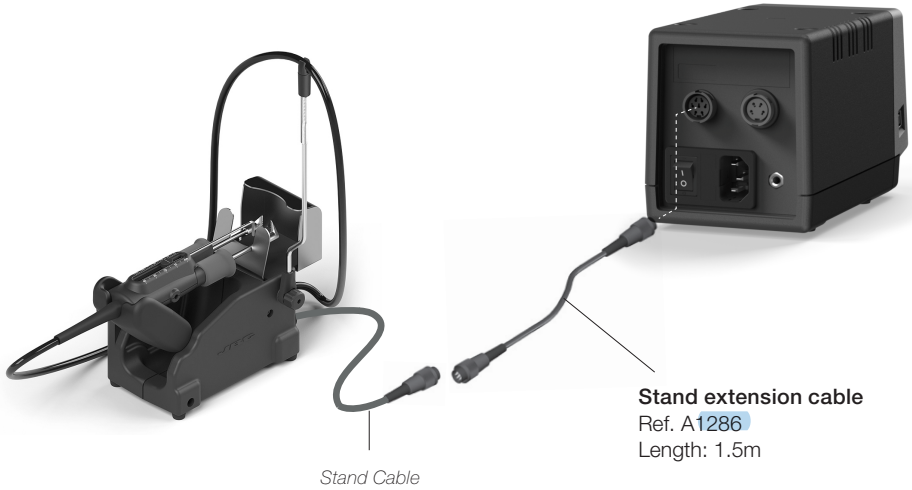
(Required but not supplied)



Assembly: Cable Collector and Adjustable Tool Holder



Accessories

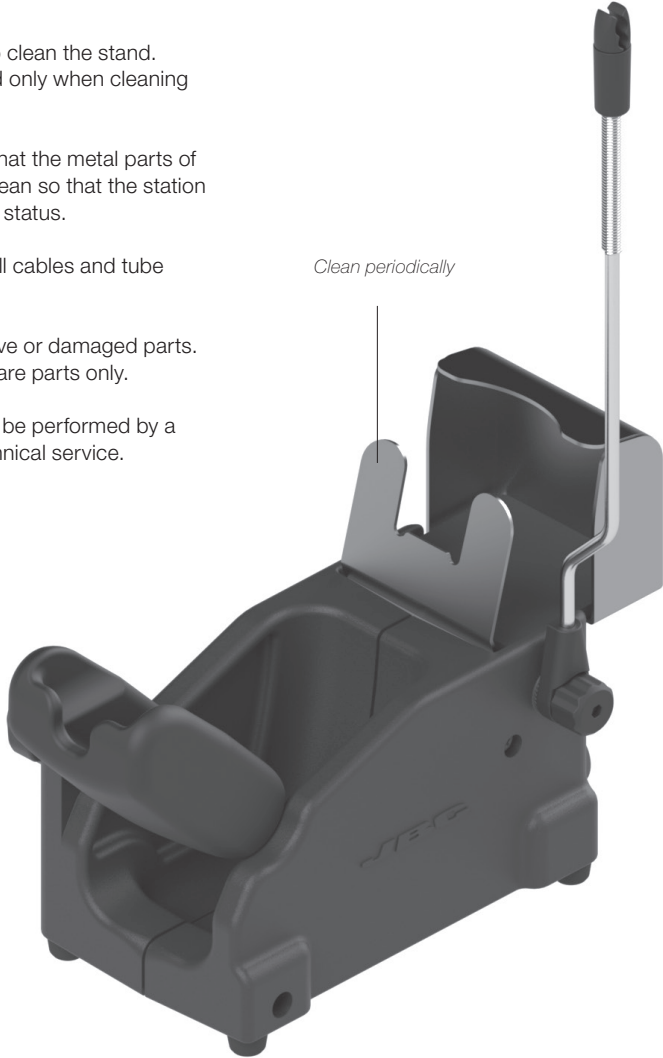


Maintenance

Before carrying out maintenance or storage, always unplug the stand from the station and the tool.

- Use a damp cloth to clean the stand. Alcohol can be used only when cleaning the metal parts.
- Check periodically that the metal parts of the tool/stand are clean so that the station can check the tool's status.
- Periodically check all cables and tube connections.
- Replace any defective or damaged parts. Use original JBC spare parts only.
- Repairs should only be performed by a JBC authorized technical service.

Clean periodically



Notes

Specifications

- | | |
|----------------------|--|
| - Includes | Sleep Mode |
| - Net Weight | 1,4 kg (3.1 lb) |
| - Package Weight | 1,7 kg (3.7 lb) |
| - Package Dimensions | 342 x 155 x 120 mm (13.5 x 6.1 x 4.7 in) |

Complies with CE standards
ESD Safe

JBC

Warranty

JBC's 2 year warranty covers this equipment against all manufacturing defects, including the replacement of defective parts and labour.

Warranty does not cover product wear or misuse.

In order for the warranty to be valid, equipment must be returned, postage paid, to the dealer where it was purchased.

Get 1 extra year JBC warranty by registering here:
<https://www.jbctools.com/productregistration/>
within 30 days of purchase.



This product should not be thrown in the garbage.

In accordance with the European directive 2012/19/EU, electronic equipment at the end of its life must be collected and returned to an authorized recycling facility.

